


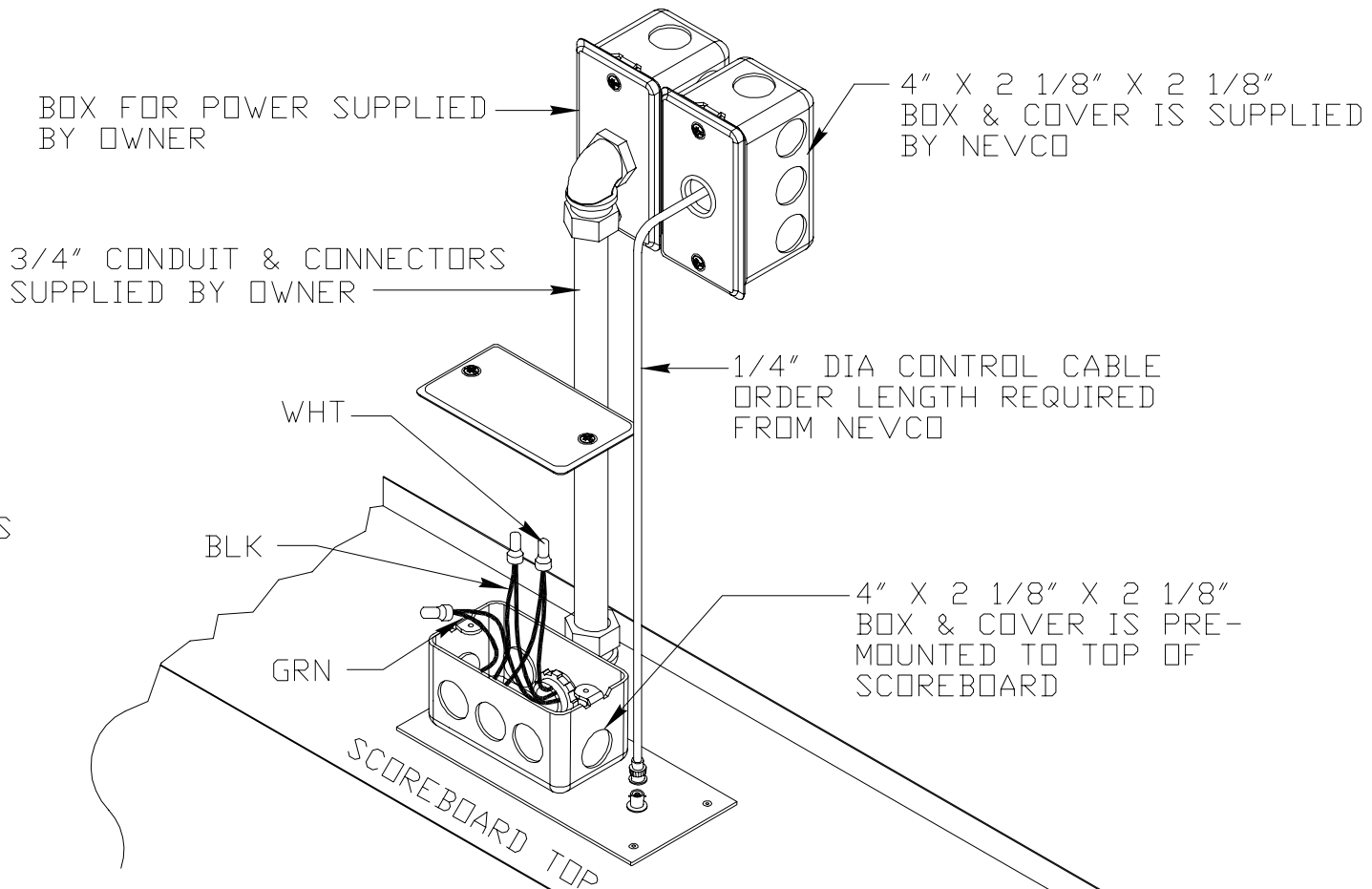
APPROXIMATE WEIGHT 110 LBS

FRONT VIEW

THIS SCOREBOARD IS INTENDED TO BE INSTALLED IN ACCORDANCE WITH THE REQUIREMENTS OF ARTICLE 600 OF THE NATIONAL ELECTRICAL CODE AND/OR OTHER APPLICABLE LOCAL CODES. THIS INCLUDES PROPER GROUNDING AND BONDING OF THE SCOREBOARD.

1. IF THE SCOREBOARD IS TO BE USED FOR 2-WIRE OPERATION REFER TO POWER HOOK UP PRINT.
2. IF THE SCOREBOARD IS TO BE USED FOR WIRELESS OPERATION REFER TO RECEIVER INSTALLATION PRINT FOR SPECIFIC CONTROL.

INSTALLATION 2610		 NEVCO SCOREBOARD CO. GREENVILLE, ILLINOIS 62246
DRAWING NO. C10067		
DRAWN HW	DATE 10/25/04	SHEET 1 OF 1




120V, 50/60Hz

- 1 BLK - HOT
- 1 WHT - NEUTRAL
- 1 GRN - GROUND

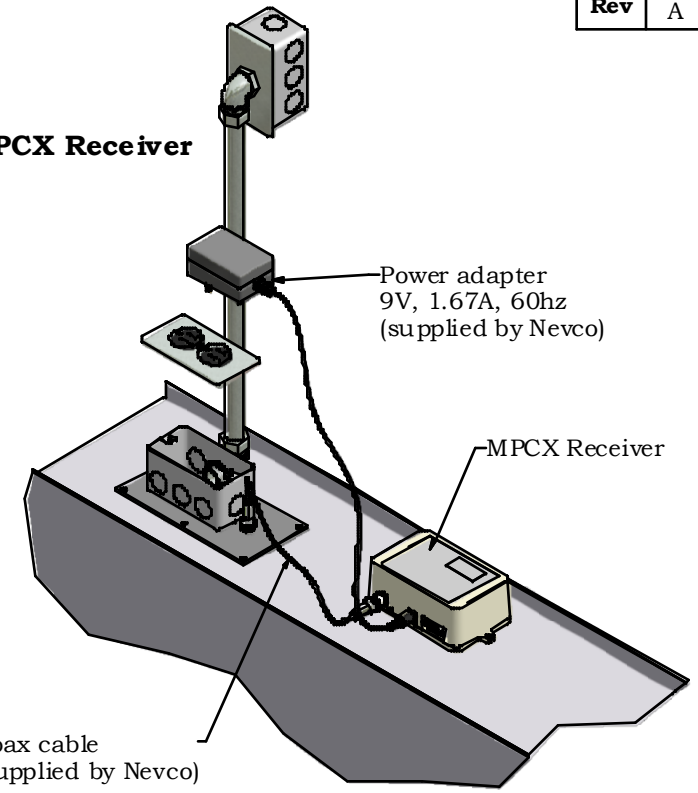
FOR POWER REQUIREMENTS
SEE INSTALLATION PRINT

NOTE:

THIS SCOREBOARD IS INTENDED TO BE INSTALLED IN ACCORDANCE WITH THE REQUIREMENTS OF ARTICLE 600 OF THE NATIONAL ELECTRICAL CODE AND/OR OTHER APPLICABLE LOCAL CODES. THIS INCLUDES PROPER GROUNDING AND BONDING OF THE SCOREBOARD.

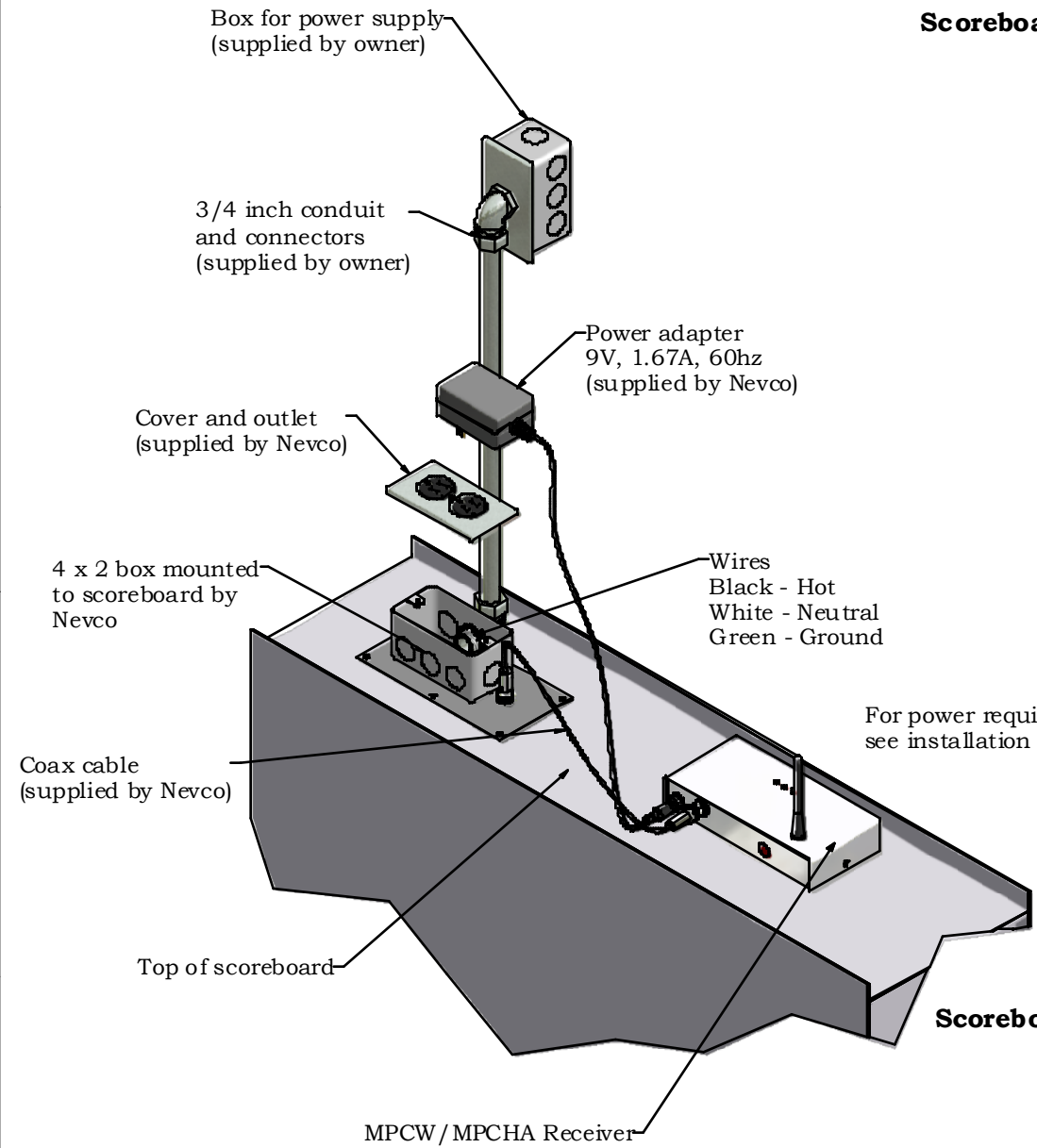
POWER HOOK UP SINGLE MODULE SCOREBOARD FOR 2-WIRE OPERATION		 NEVCO SCOREBOARD CO. GREENVILLE, ILLINOIS 62246
DRAWN HW	DATE 10/18/04	SHEET 1 OF 1

Scoreboard with MPCX Receiver

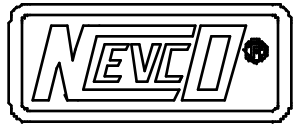


For power requirements, see installation print

Scoreboard with MPCW/MPCHA Receiver



Note:
 This scoreboard is intended to be installed in accordance with the requirements of Article 600 of the National Electrical Code and/or other applicable local codes. This includes proper grounding and bonding of the scoreboard.

Installation of MPCW/MPCHA/MPCX Top Mount Receiver		 Nevco Scoreboard Company Greenville, Illinois 62246
Drawn BRS	Date 9/14/07	Sheet 1 of 1