

4" X 2 1/8" X 2 1/8"  
BOX FOR ELECTRICAL  
POWER SERVICE REQUIRED TO  
EACH FACE 120V, 5A, 50/60HZ

2 13/16" EYEBOLT, 1 1/2" INSIDE  
DIA., ONE EACH CORNER LOCATED  
8'-6" ON CENTER.

FOUR 1/4" DIA. CABLES ORDER  
LENGTHS REQUIRED FROM NEVCO.

CEILING LINE

TO CEILING

SCOREBOARD FACE

SCOREBOARD FACE


MODULE LOCATION

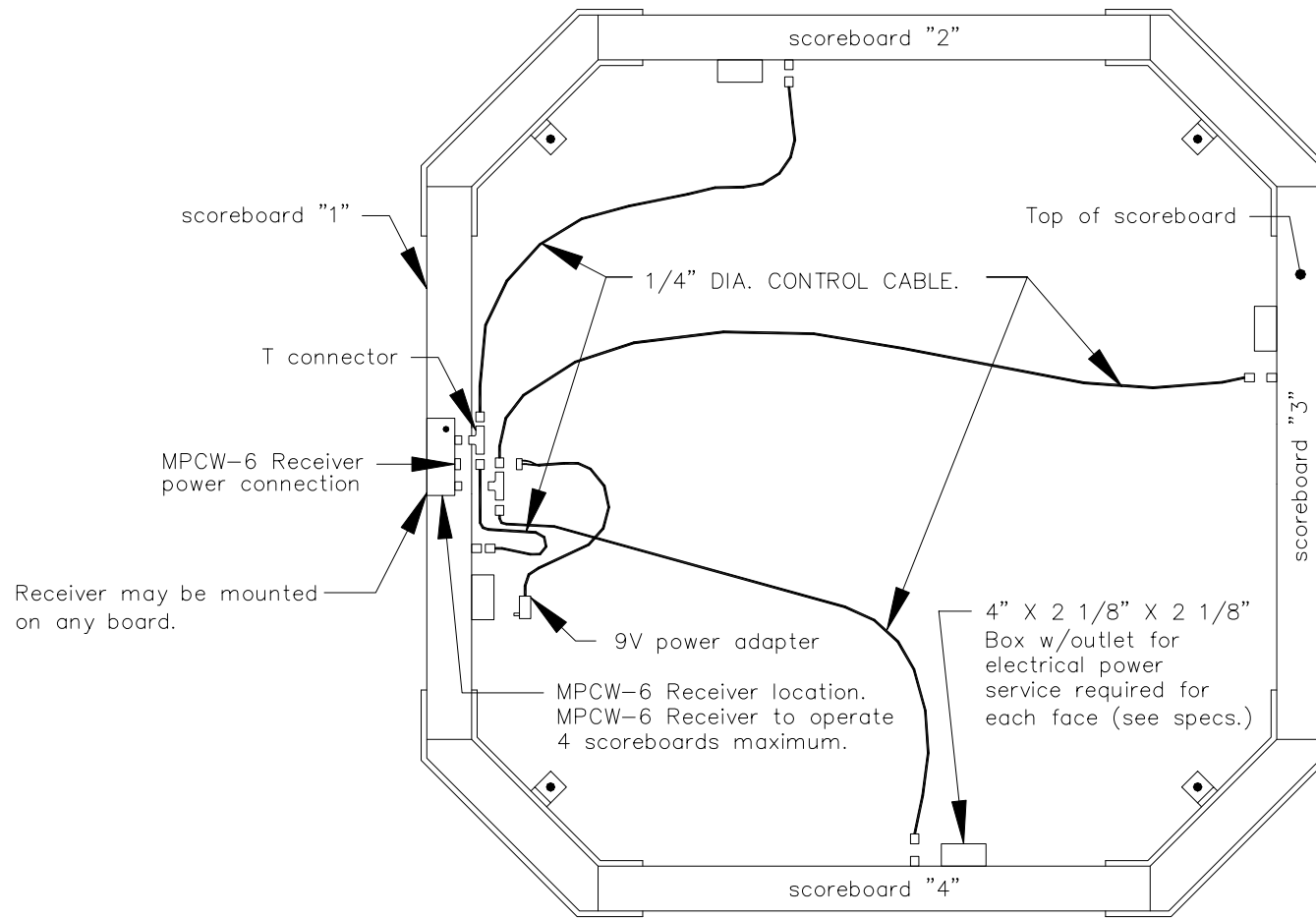
MODULE LOCATION

THIS SCOREBOARD IS INTENDED TO  
BE INSTALLED IN ACCORDANCE  
WITH THE REQUIREMENTS OF  
ARTICLE 600 OF THE NATIONAL  
ELECTRICAL CODE AND/OR OTHER  
APPLICABLE LOCAL CODES. THIS  
INCLUDES PROPER GROUNDING AND  
BONDING OF THE SCOREBOARD.

NOTES

1. MAKE CONNECTION TO EYEBOLT PER OWNER'S SPECIFICATIONS.
2. ANCHORS AT CEILING FURNISHED BY OWNER.
3. WIRE ROPE CABLE EACH CORNER SIZE AS REQUIRED TO SUPPORT SCOREBOARD. CABLE FURNISHED BY OWNER.


TYP. PERMANENT INSTALLATION 4-FACE-2650		 NEVCO SCOREBOARD CO. GREENVILLE, ILLINOIS 62246
DRAWING NO. C9620		
DRAWN BMK	DATE 03/22/04	SHEET 1 OF 1

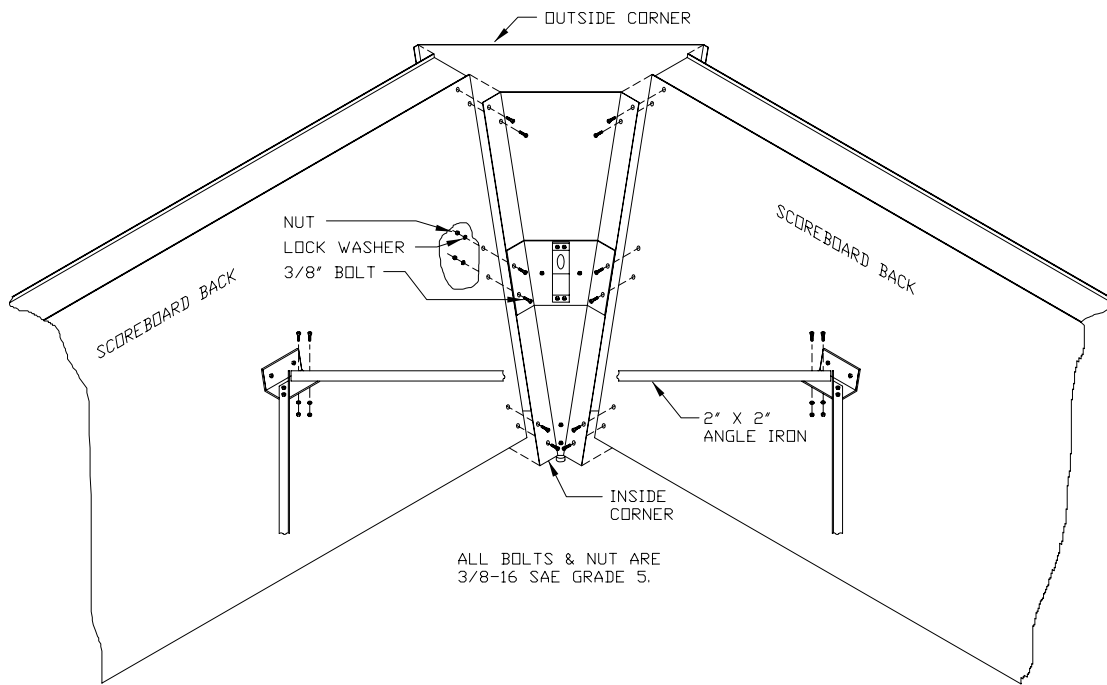


MPCW-6 RECEIVER TOP  
VIEW OF 4-FACE SCOREBOARD

NOTES:

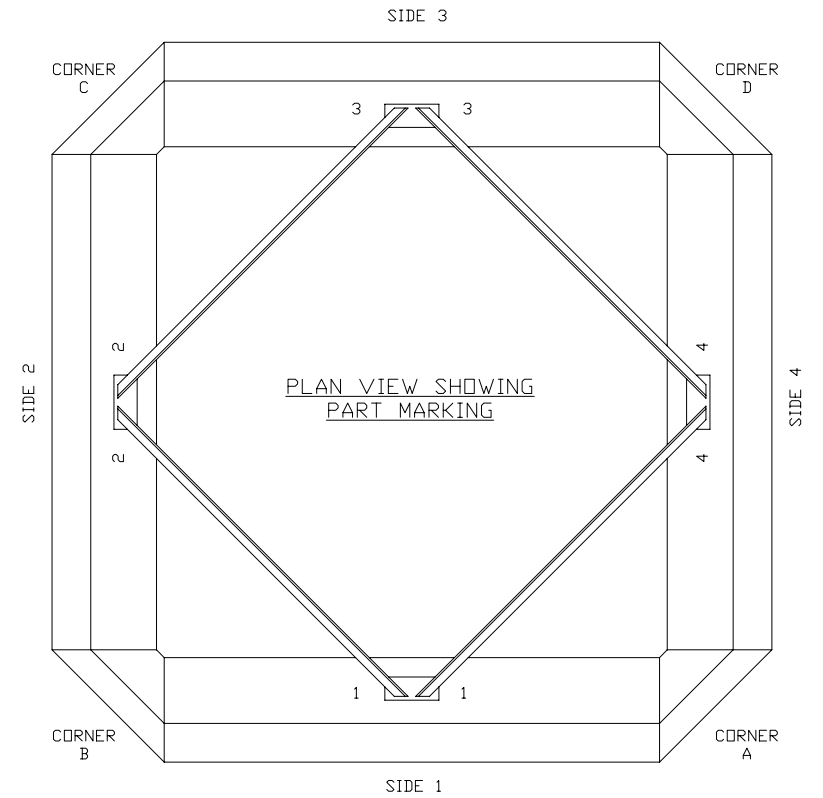
1. If a sign is added to the top of the scoreboard the receiver must be placed on top of the sign.
2. Use power adapter extension if signs are mounted to the top of scoreboard.
3. To independently operate each scoreboard face, each face must have its own MPCW receiver.

RECEIVER MOUNTING DETAIL, 4-FACE SCOREBOARD W/1 MPCW-6 RECEIVER		 NEVCO SCOREBOARD CO. GREENVILLE, ILLINOIS 62246
DRAWN BMK DATE 11/01/04		
DRAWN BMK DATE 11/01/04		DRAWING NO. C10089
SHEET 1 OF 1		

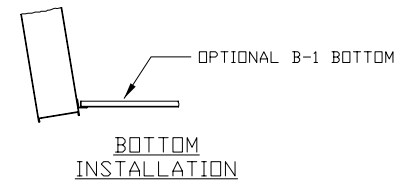


ALL BOLTS & NUT ARE  
3/8-16 SAE GRADE 5.

CORNER ASSEMBLY DETAIL



PLAN VIEW SHOWING  
PART MARKING



BOTTOM  
INSTALLATION

TYP. ASSEMBLY  
4-FACE  
SCOREBOARD

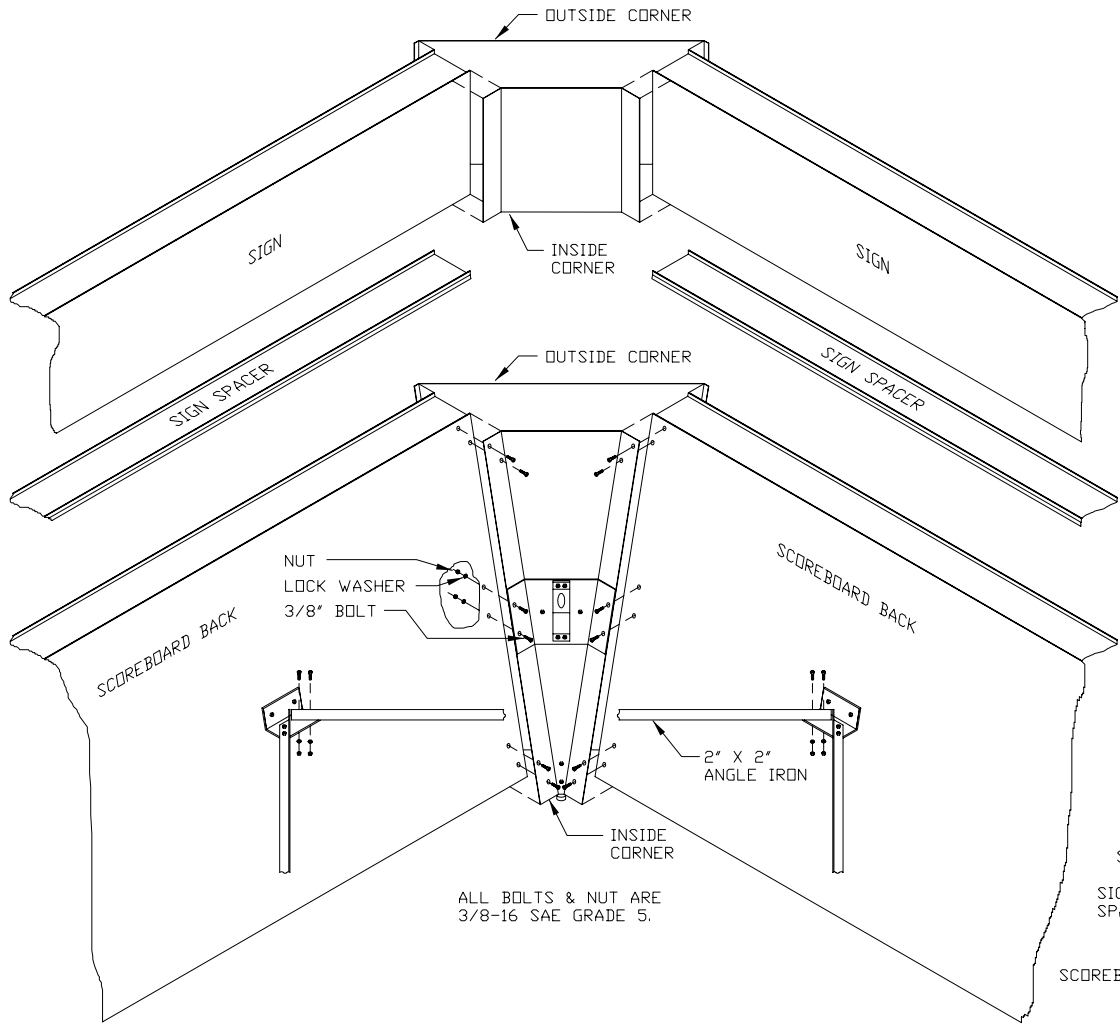


NEVCO SCOREBOARD CO.  
GREENVILLE, ILLINOIS 62246

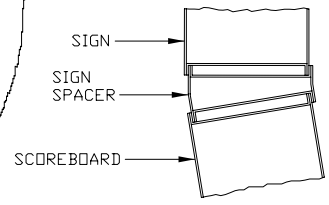
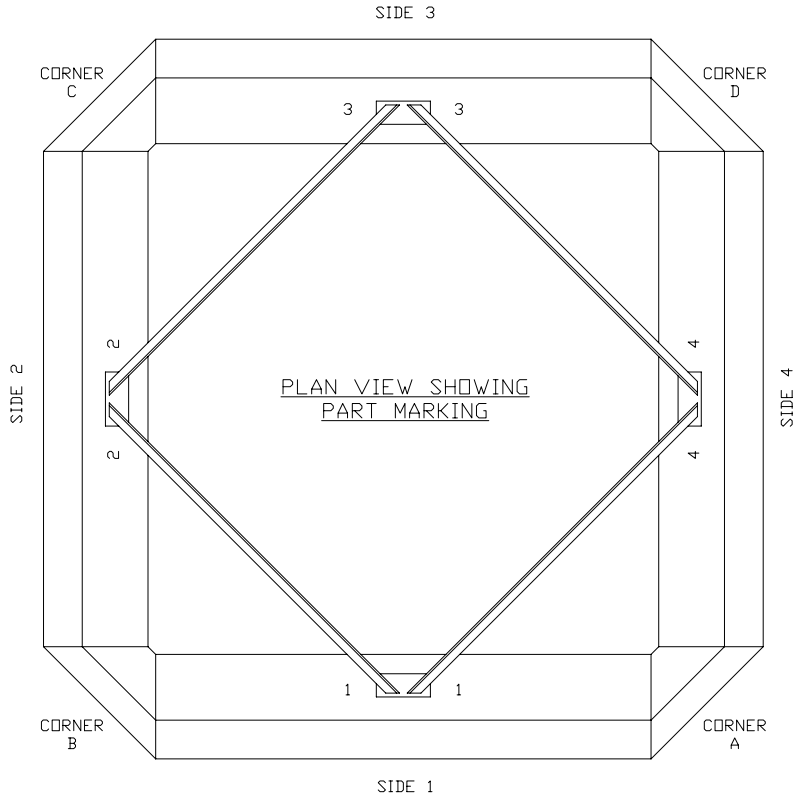
DRAWING NO. D1888

DRAWN HW DATE 5-6-75 SHEET 1 OF 1

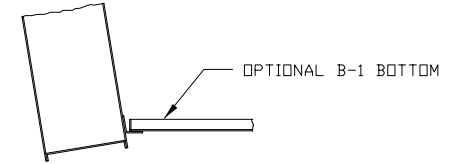
NOTE  
REMOVE EACH SIGN FACE FOR ACCESS TO  
POWER CONNECTIONS. ADD HOLES IN REAR  
OF SIGNS FOR POWER ENTRANCE.



CORNER ASSEMBLY DETAIL




SIGN ATTACHMENT  
DETAIL



BOTTOM  
INSTALLATION

ALL BOLTS & NUT ARE  
3/8-16 SAE GRADE 5.

TYP. ASSEMBLY 4-FACE SCOREBOARD WITH AD SIGNS OR ADL SIGNS		 NEVCO SCOREBOARD CO. GREENVILLE, ILLINOIS 62246
DRAWING NO. D3108		
DRAWN HW	DATE 1-30-79	SHEET 1 OF 1