
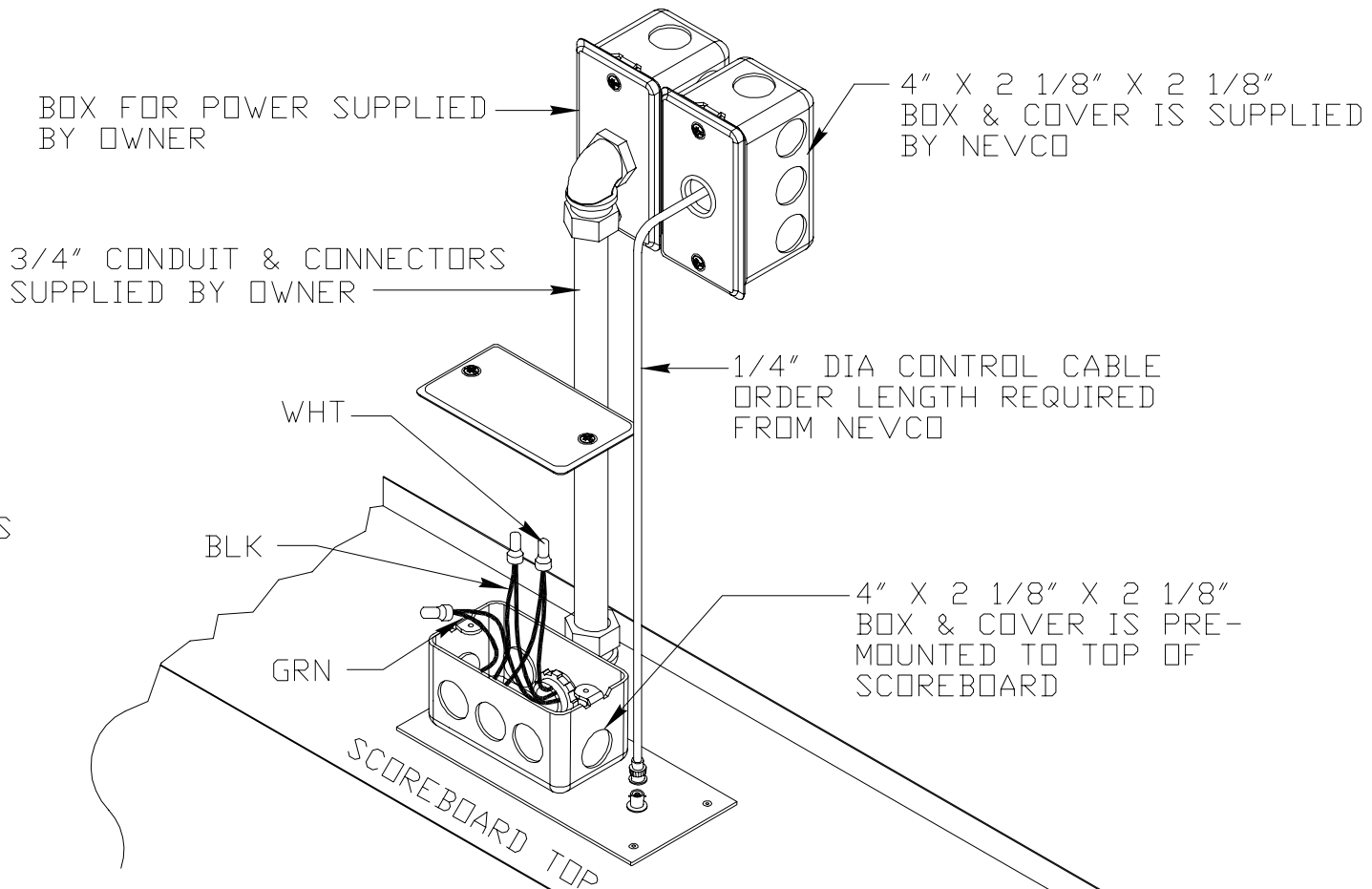


FRONT VIEW

THIS SCOREBOARD IS INTENDED TO BE INSTALLED IN ACCORDANCE WITH THE REQUIREMENTS OF ARTICLE 600 OF THE NATIONAL ELECTRICAL CODE AND/OR OTHER APPLICABLE LOCAL CODES. THIS INCLUDES PROPER GROUNDING AND BONDING OF THE SCOREBOARD.

INSTALLATION 4550-D		 NEVCO SCOREBOARD CO. GREENVILLE, ILLINOIS 62246
DRAWING NO. C7386		
DRAWN HW	DATE 5/6/98	SHEET 1 OF 1




120V, 50/60Hz

- 1 BLK - HOT
- 1 WHT - NEUTRAL
- 1 GRN - GROUND

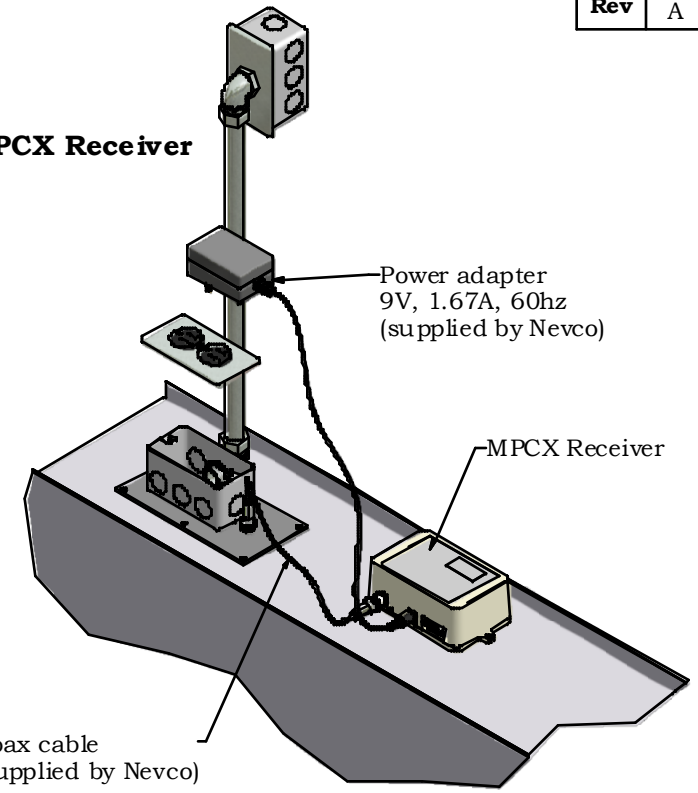
FOR POWER REQUIREMENTS  
SEE INSTALLATION PRINT

NOTE:

THIS SCOREBOARD IS INTENDED TO BE INSTALLED IN ACCORDANCE WITH THE REQUIREMENTS OF ARTICLE 600 OF THE NATIONAL ELECTRICAL CODE AND/OR OTHER APPLICABLE LOCAL CODES. THIS INCLUDES PROPER GROUNDING AND BONDING OF THE SCOREBOARD.

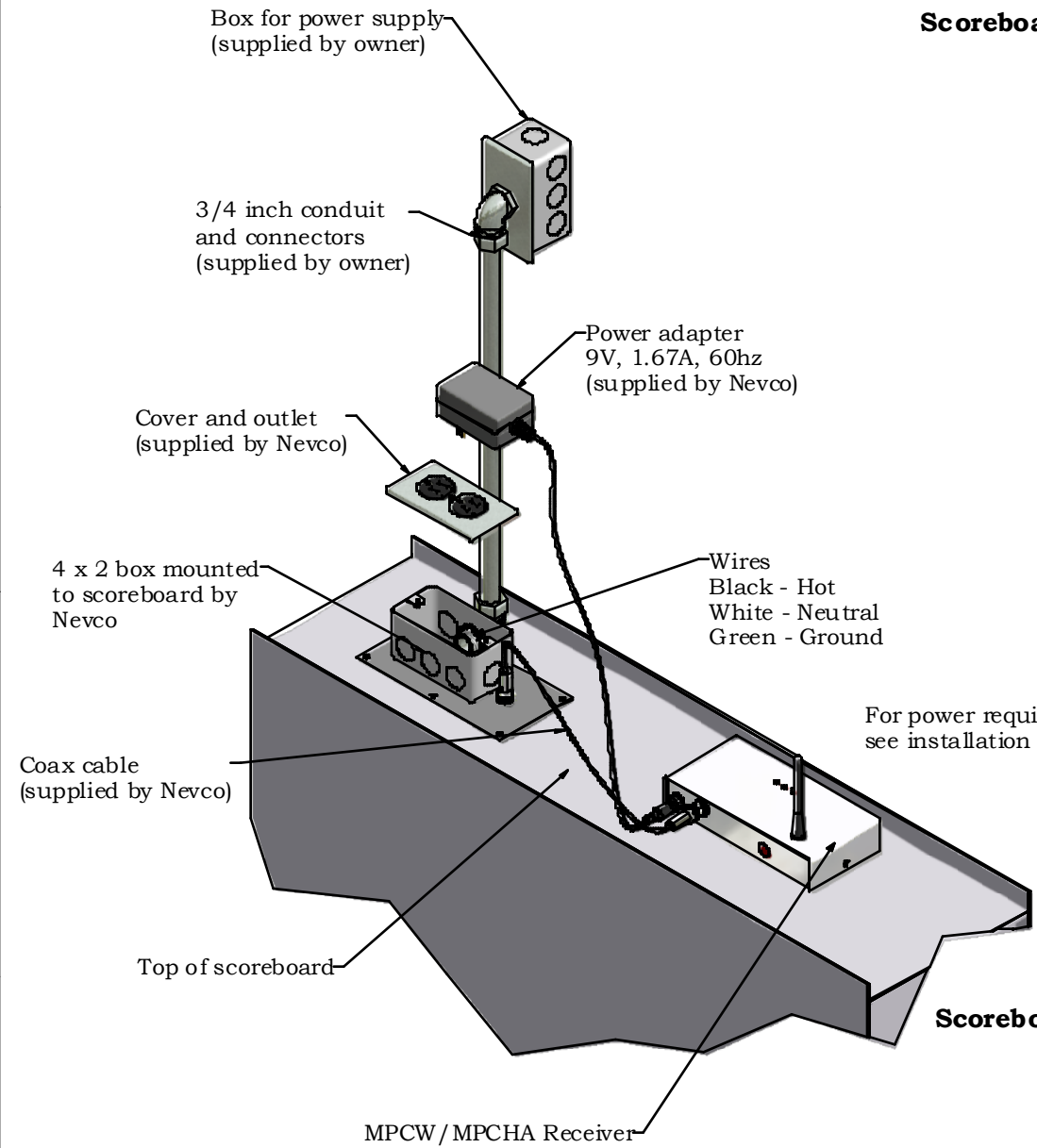
POWER HOOK UP SINGLE MODULE SCOREBOARD FOR 2-WIRE OPERATION		 NEVCO SCOREBOARD CO. GREENVILLE, ILLINOIS 62246
DRAWN HW	DATE 10/18/04	SHEET 1 OF 1

### Scoreboard with MPCX Receiver

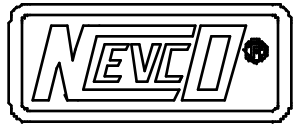


For power requirements, see installation print

### Scoreboard with MPCW/MPCHA Receiver



Note:  
 This scoreboard is intended to be installed in accordance with the requirements of Article 600 of the National Electrical Code and/or other applicable local codes. This includes proper grounding and bonding of the scoreboard.

Installation of MPCW/MPCHA/MPCX Top Mount Receiver		 <b>Nevco Scoreboard Company</b> Greenville, Illinois 62246
Drawn BRS	Date 9/14/07	Sheet 1 of 1